

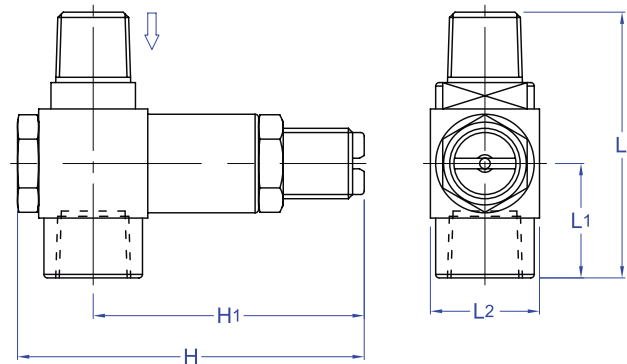
Adjustable Overload Protector
AOP series



Features

- Maximum working pressure:
6000 psi (414bar) at 100°F (38°C)
- Working temperature:
-13°F (-25°C) to 212°F (100°C)
- SETTING RANGE:
0.5~4 BARS
2~60 BARS
60~200 BARS
- Used to protect pressure gauges and pressure switches from overpressure. When pressure exceeds the pre-set pressure, the device automatically shuts off the pressure to the instrument.
- Pressure adjustment can be done by manipulating an external adjusting screw and lock nut.

Material of Construction



Ordering No.	End Connection		Dimensions (mm)				
	Inlet	Outlet	L	L1	H	H1	L2
AOPS8	1/2"NPT male	1/2"NPT female	75.5	32.5	98.5	77	31